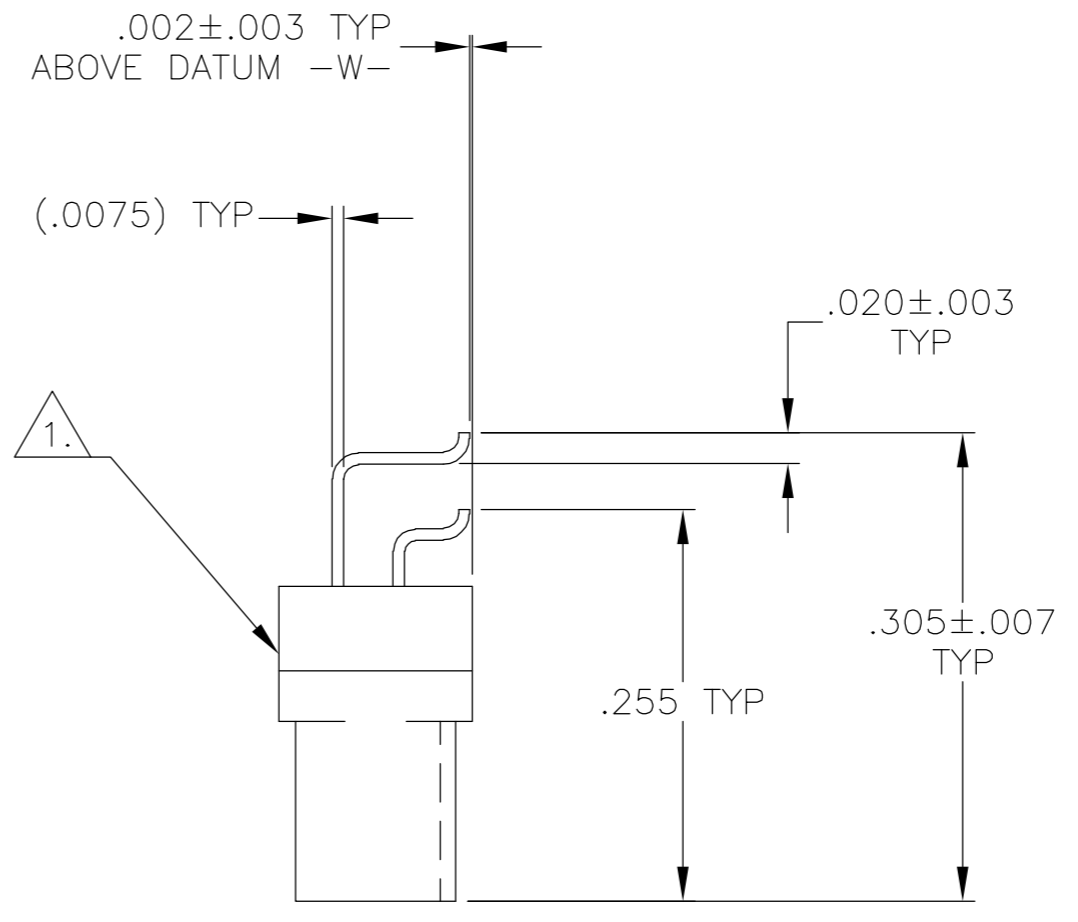
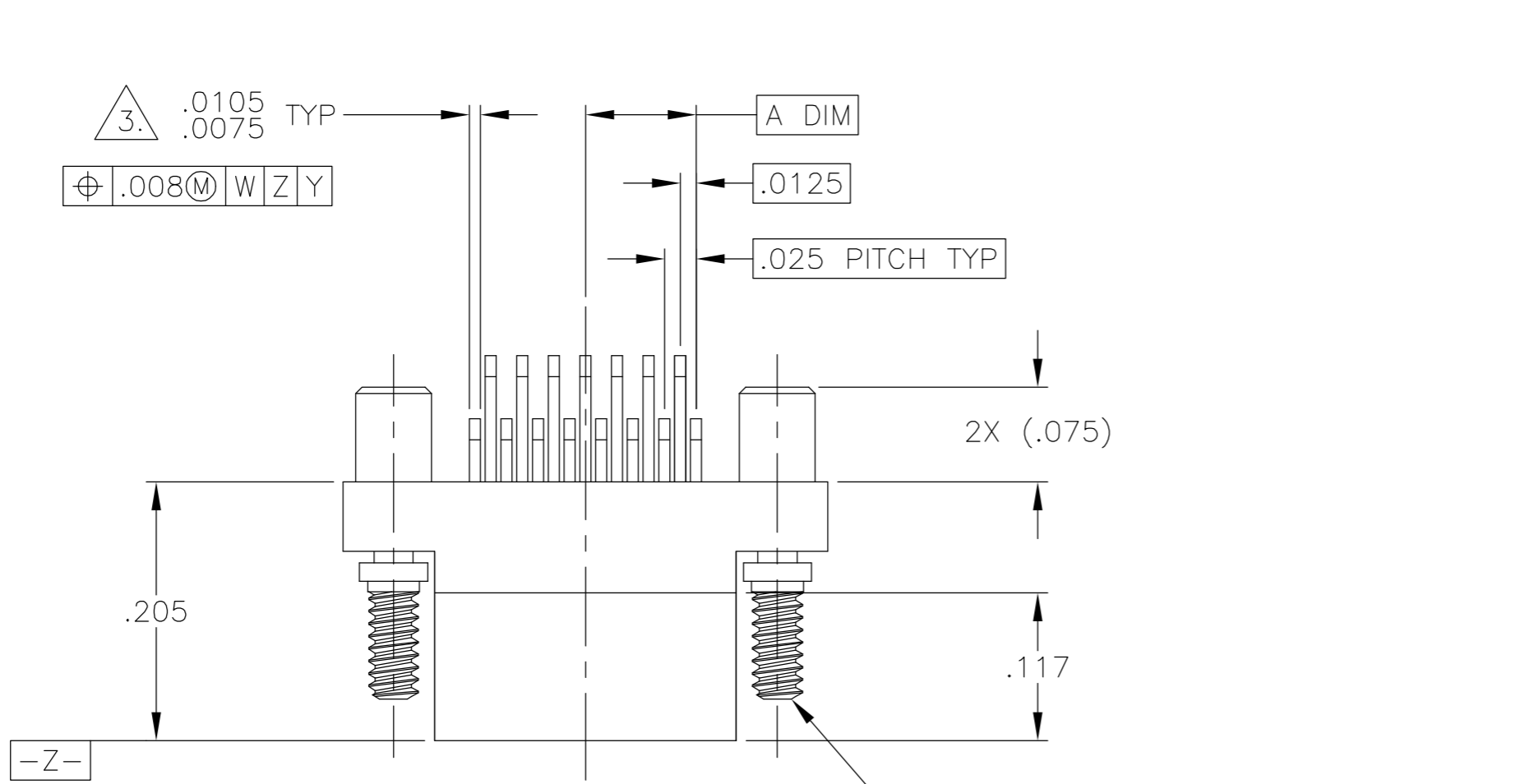
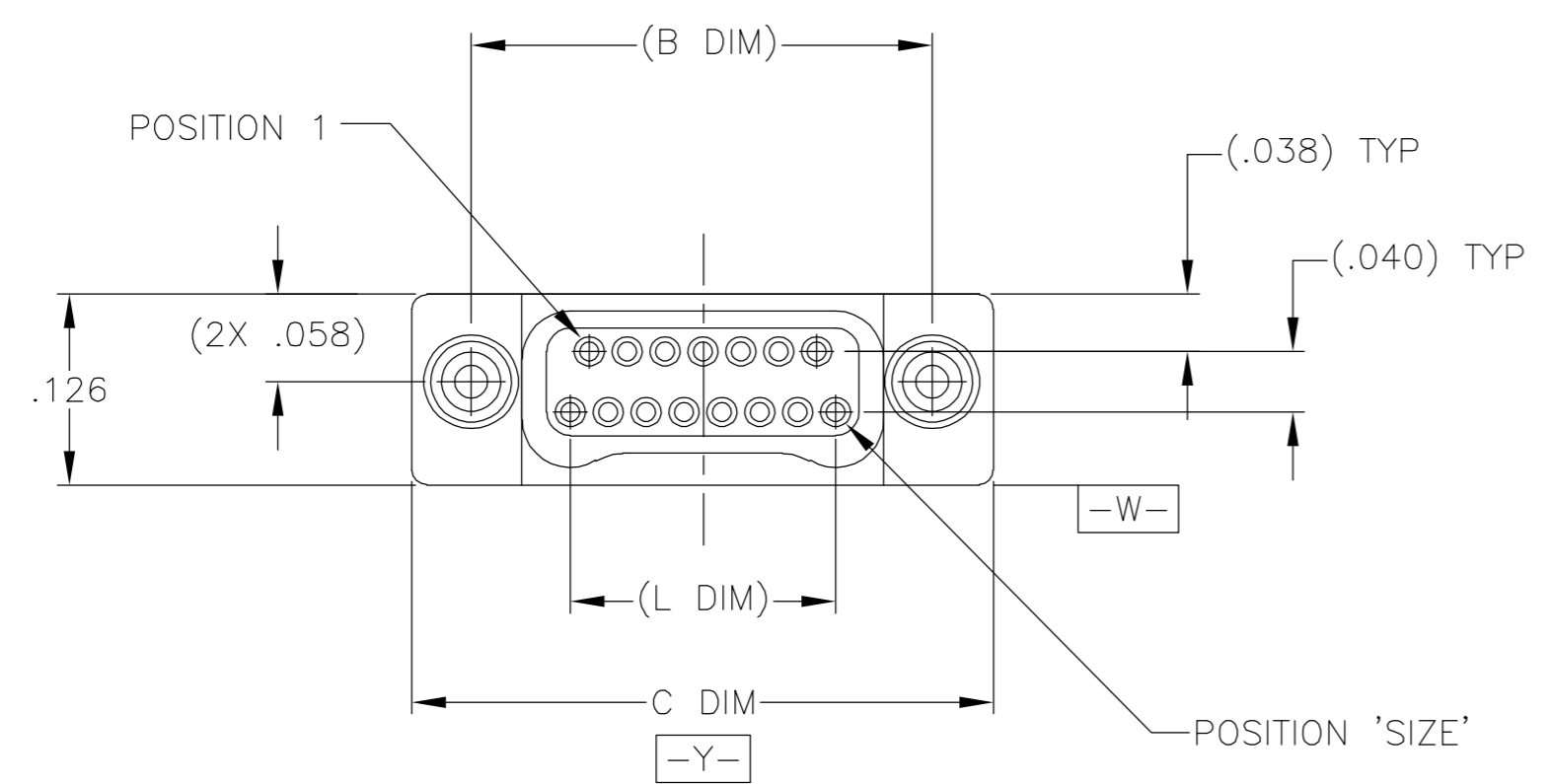


THIS DRAWING IS UNPUBLISHED. RELEASED FOR PUBLICATION
 © COPYRIGHT BY TYCO ELECTRONICS CORPORATION. ALL RIGHTS RESERVED.

| LOC | DIST | REVISIONS | | | | | |
|-----|------|-----------|-----|-------------------------|-----------|-----|------|
| DF | DO | P | LTR | DESCRIPTION | DATE | DWN | APVD |
| | | F | | UPDATE PER 0H2Y-0164-04 | 12 MAY 04 | CAS | MKS |



JACKSCREW HEADS
REMOVED FOR CLARITY



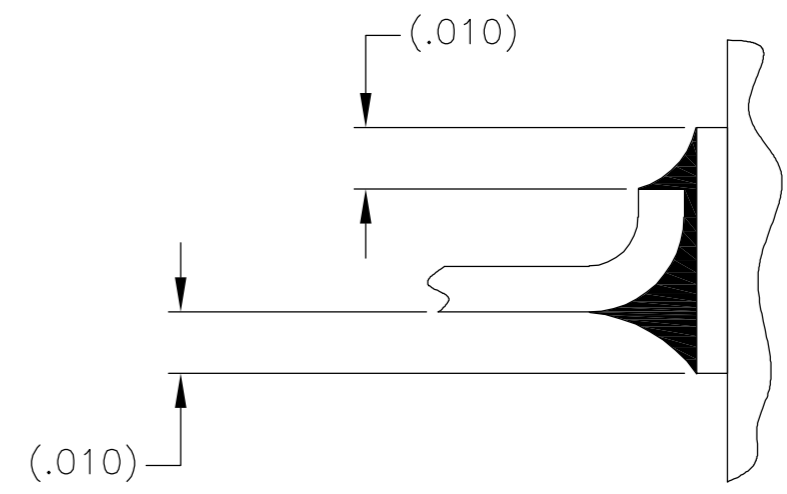
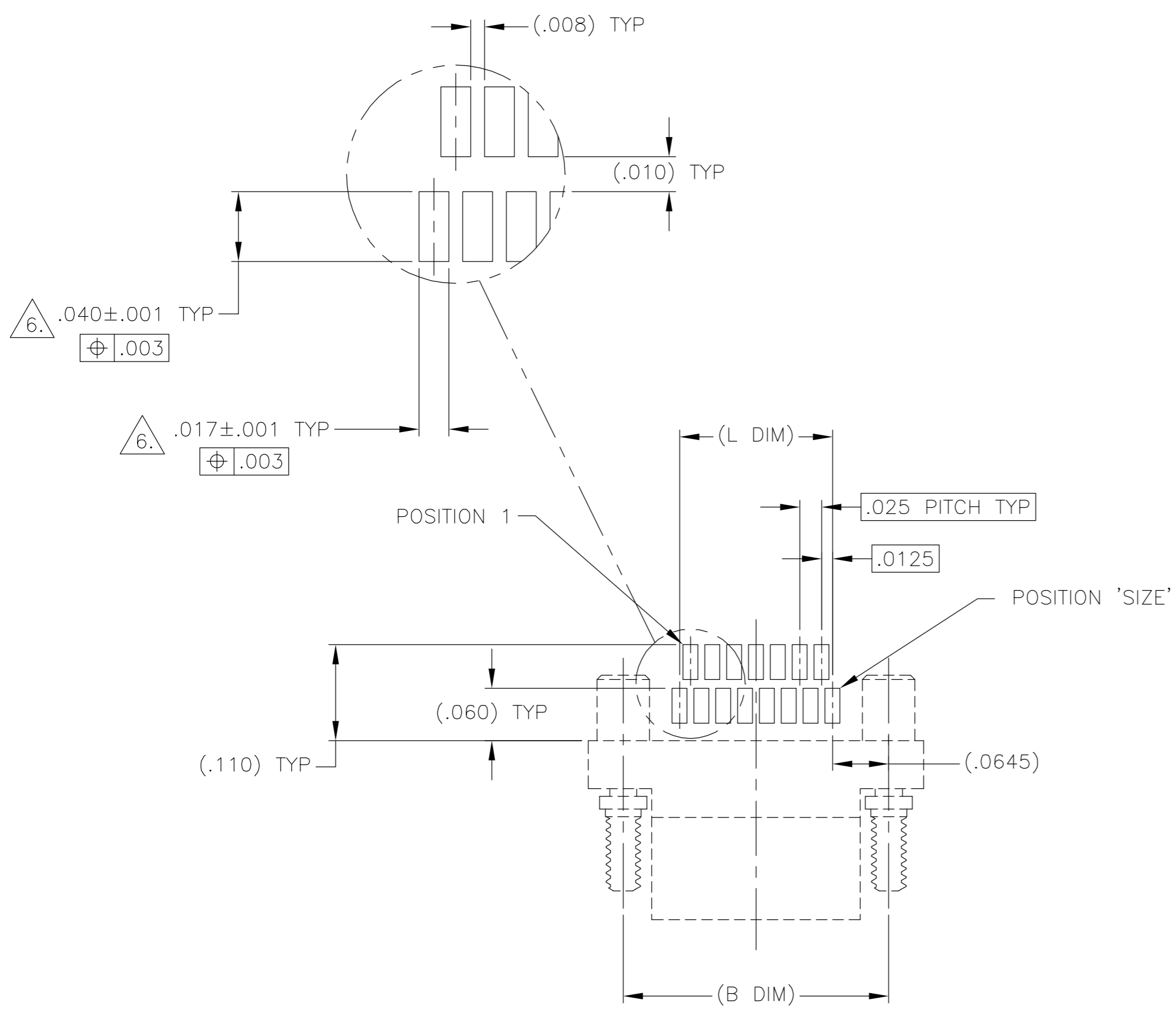
| SIZE | A DIM | (B DIM) | C DIM ±.0050 | (L DIM) |
|------|-------|---------|-----------------|---------|
| 09 | .050 | (.229) | .3085 | (.100) |
| 15 | .0875 | (.304) | .3835 | (.175) |
| 25 | .150 | (.429) | .5085 | (.300) |
| 37 | .225 | (.579) | .6585 | (.450) |
| 51 | .3125 | (.754) | .8335 | (.625) |
| 65 | .400 | (.929) | 1.0085 | (.800) |

- 1. SHELL OPTIONS (TO BE SPECIFIED IN NANONICS PART NUMBER):
 METAL: 6061-T6 ALUMINUM, ELECTROLESS NICKEL PLATED PER MIL-C-26074 OR GOLD PLATED PER MIL-G-45204
 303 STAINLESS STEEL, PASSIVATED PER SAE-AMS-QQ-P-35
 INSULATOR MATERIAL FOR ALL METAL SHELLS IS LIQUID CRYSTAL POLYMER (LCP) PER MIL-M-24519 OR PER ASTM D5138
 PLASTIC: LIQUID CRYSTAL POLYMER (LCP) PER MIL-M-24519 OR PER ASTM D5138
- 2. STANDARD 1.00UNM CAPTIVE JACKSCREWS ARE SHOWN FOR REFERENCE ONLY AND MUST BE SPECIFIED IN THE NANONICS PART NUMBER WHEN REQUIRED. JACKSCREW MATERIAL IS 303 STAINLESS STEEL, PASSIVATED PER SAE-AMS-QQ-P-35, AND DRY LUBED PER DOD-L-85645. RETAINING RING IS 17-4 STAINLESS STEEL, PASSIVATED PER SAE-AMS-QQ-P-35. JACKSCREWS HAVE A .9mm HEX SOCKET HEAD. 1.20UNM JACKSCREWS ALSO AVAILABLE.
- 3. SMT LEADS ARE BeCu, TIN LEAD PLATED 60/40 COMPOSITION PER SAE-AMS-P-81728.
- 4. NANONICS TERMINATION CODE B2.
- 5. THIS DRAWING PREVIOUSLY IDENTIFIED AS NANONICS N10138/280

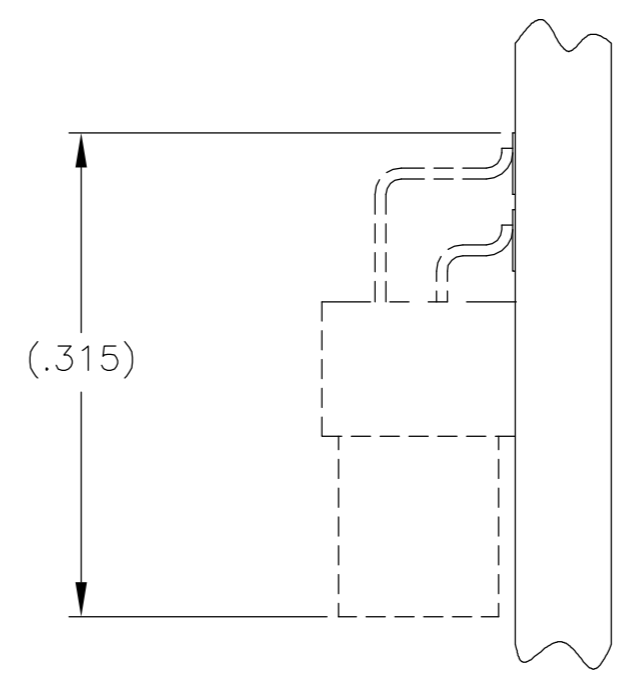
| | | | |
|---|--|--------------------------------|---|
| THIS DRAWING IS A CONTROLLED DOCUMENT. | | DWN D. RYAN 16 JAN 98 | Tyco Electronics Corporation Harrisburg, PA 17105 |
| DIMENSIONS: INCHES | | CHK S. KAIN 20 DEC 99 | |
| TOLERANCES UNLESS OTHERWISE SPECIFIED: | | APVD M. STORRY 20 APR 01 | NAME PLUG ASSEMBLY, HORIZONTAL SURFACE MOUNT, TWO ROW DUALLOBE, PLASTIC OR METAL |
| 0 PLC ± - 1 PLC ± - 2 PLC ± .010 3 PLC ± .005 4 PLC ± - ANGLES ± 1 | | PRODUCT SPEC - | SIZE A2 |
| MATERIAL SEE NOTES | | APPLICATION SPEC - | CAGE CODE 00779 |
| FINISH SEE NOTES | | WEIGHT - | DRAWING NO C=1589490 |
| | | CUSTOMER DRAWING | RESTRICTED TO - |
| | | SCALE 8:1 | SHEET 1 OF 2 |
| | | | REV F |

THIS DRAWING IS UNPUBLISHED. RELEASED FOR PUBLICATION
 © COPYRIGHT BY TYCO ELECTRONICS CORPORATION. ALL RIGHTS RESERVED.

| LOC | | DIST | | REVISIONS | | | |
|-----|-----|-------------------------|--|-----------|-----|------|--|
| P | LTR | DESCRIPTION | | DATE | DWN | APVD | |
| | F | UPDATE PER 0H2Y-0164-04 | | 12 MAY 04 | CAS | MKS | |



TYPICAL FOOT PLACEMENT ON SOLDER PAD



SIZE 15 SHOWN FOR REFERENCE

TYPICAL PCB LAYOUT

6. POSITIONAL TOLERANCES FOR BASIC DIMENSIONED FEATURES ARE RELATIVE TO FIDUCIALS OR SOME SIMILAR DATUM REFERENCE DEFINED BY THE PCB DESIGNER.

| | | | | |
|---|--|--------------------------------|---|--------------------|
| THIS DRAWING IS A CONTROLLED DOCUMENT. | | DWN D. RYAN 16 JAN 98 | Tyco Electronics Corporation Harrisburg, PA 17105 | |
| DIMENSIONS: INCHES | | CHK S. KAIN 10 DEC 99 | | |
| TOLERANCES UNLESS OTHERWISE SPECIFIED: | | APVD M. STORRY 20 APR 01 | NAME | |
| 0 PLC ± - 1 PLC ± - 2 PLC ± - 3 PLC ± - 4 PLC ± - ANGLES ± - FINISH - | | PRODUCT SPEC | PLUG ASSEMBLY, HORIZONTAL SURFACE MOUNT, TWO ROW DUALLOBE, PLASTIC OR METAL | |
| MATERIAL | | APPLICATION SPEC | SIZE A2 | CAGE CODE 00779 |
| | | WEIGHT | DRAWING NO C=1589490 | RESTRICTED TO |
| | | CUSTOMER DRAWING | SCALE 8:1 | SHEET 2 OF 2 |
| | | | REV F | |